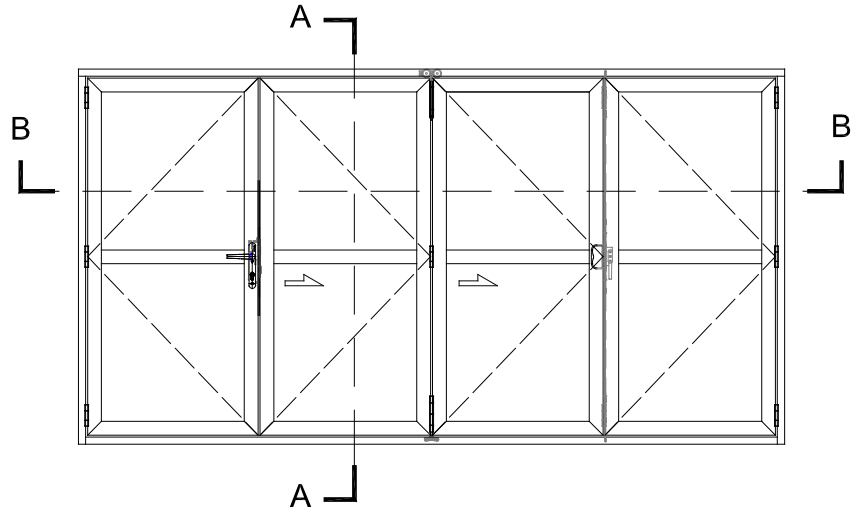
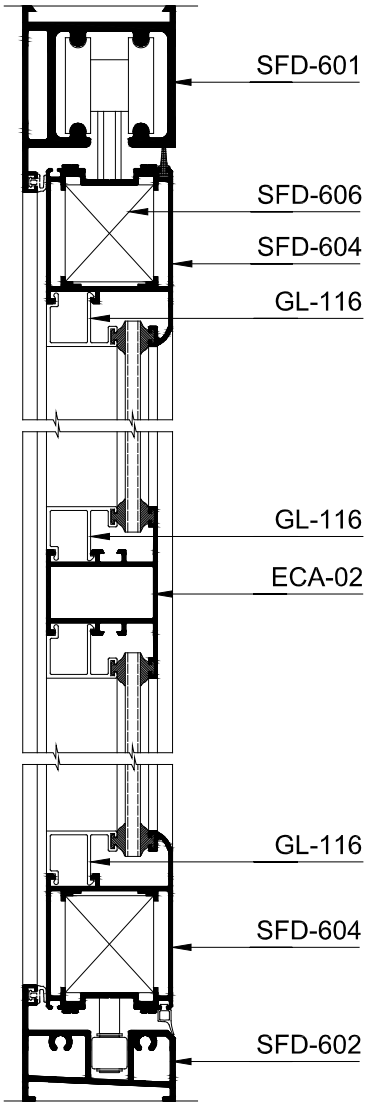
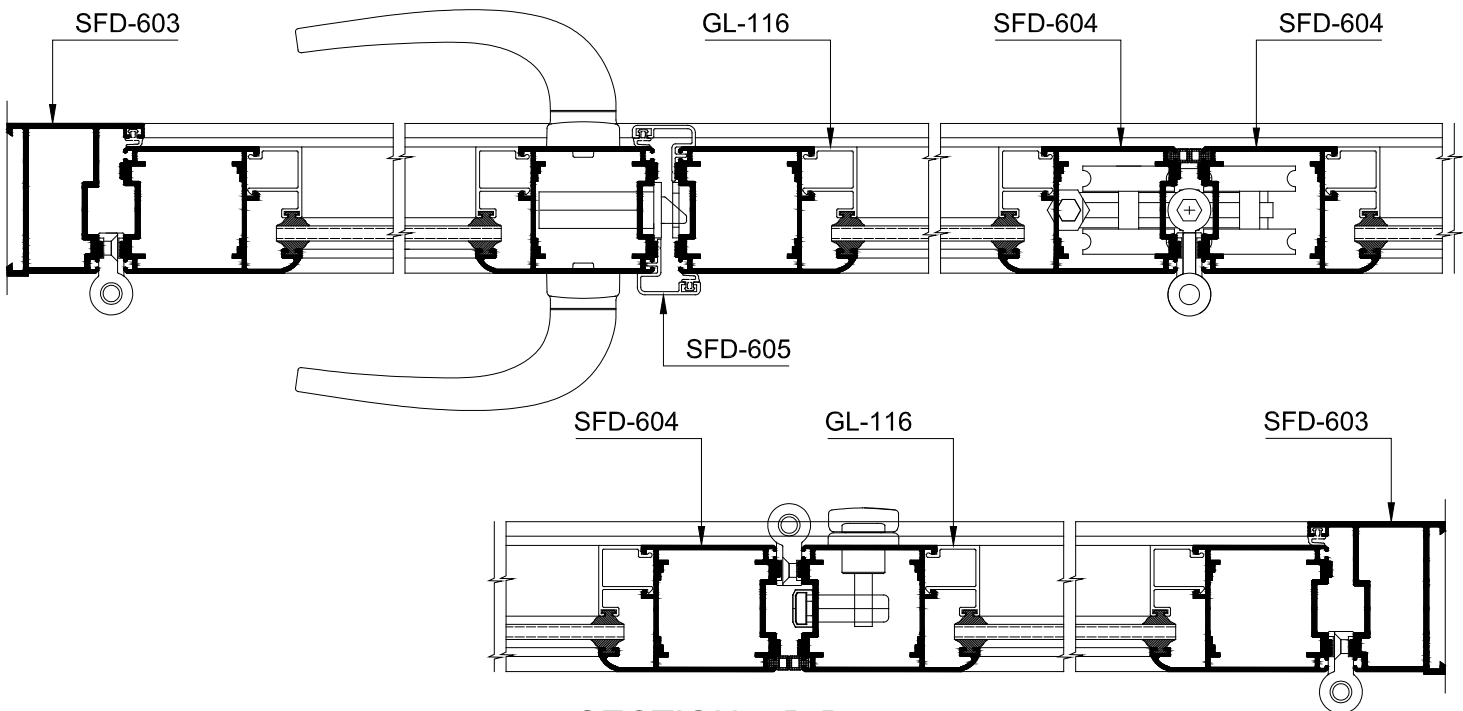


Sliding - Folding Door



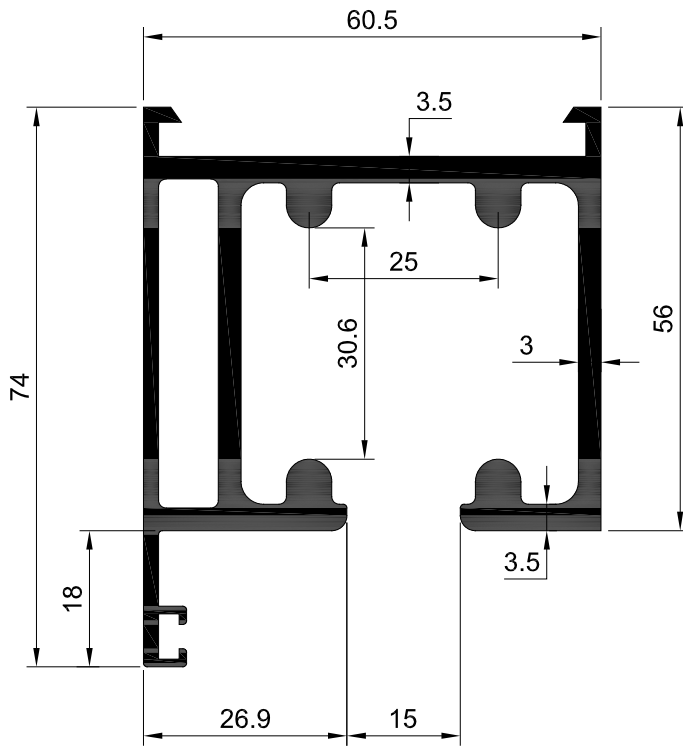
ELEVATION

SECTION :- A-A

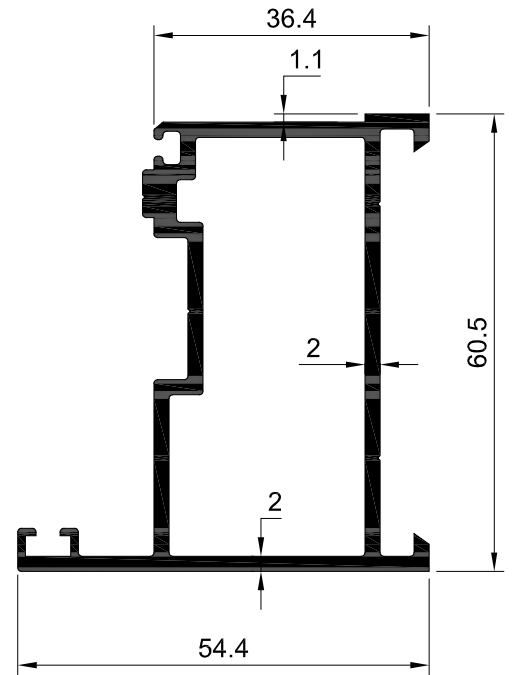


SECTION :- B-B

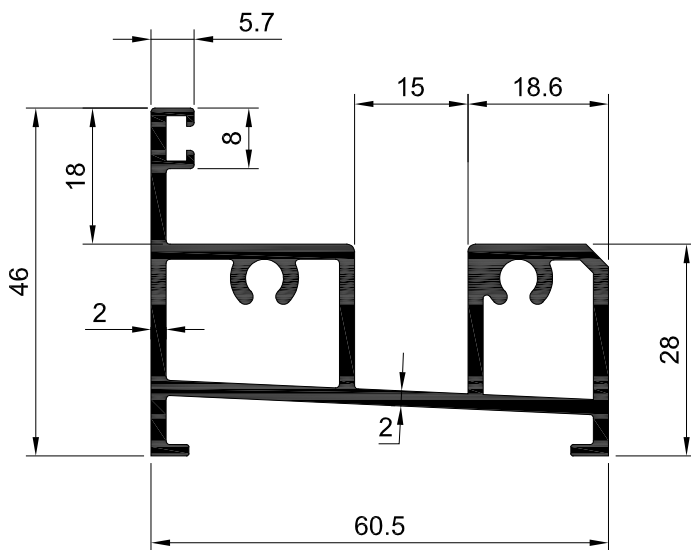
Sliding - Folding Door



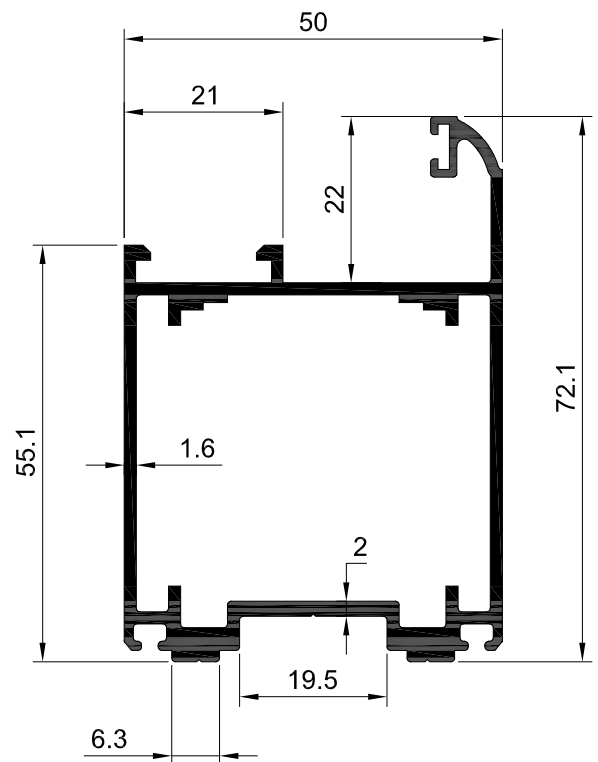
SECTION NO. - SFD-601
EST. WEIGHT - 2.484 KG./M.



SECTION NO. - SFD-603
EST. WEIGHT - 1.253 KG./M.



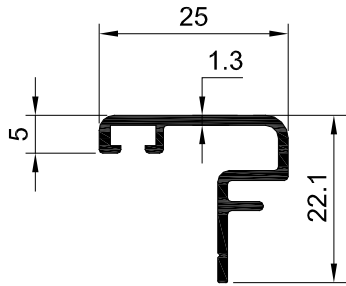
SECTION NO. - SFD-602
EST. WEIGHT - 1.307 KG./M.



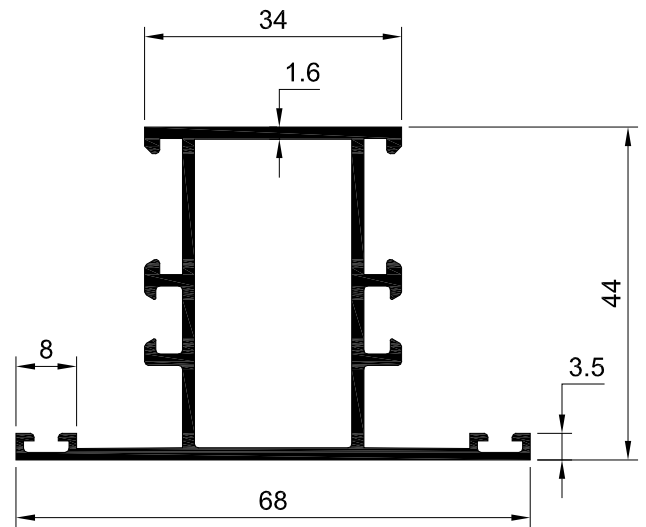
SECTION NO. - SFD-604
EST. WEIGHT - 1.334 KG./M.

Sliding - Folding Door

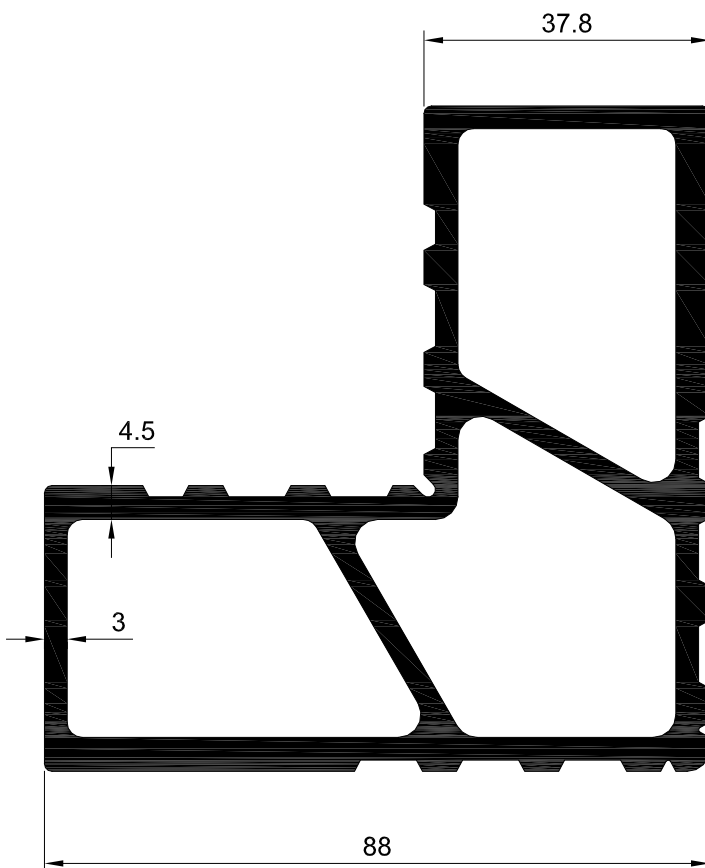
Group 09
Page 03



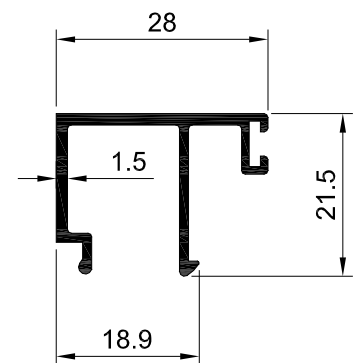
SECTION NO. - SFD-605
EST. WEIGHT - 0.229 KG./M.



SECTION NO. - ECA-02
EST. WEIGHT - 0.948 KG./M.

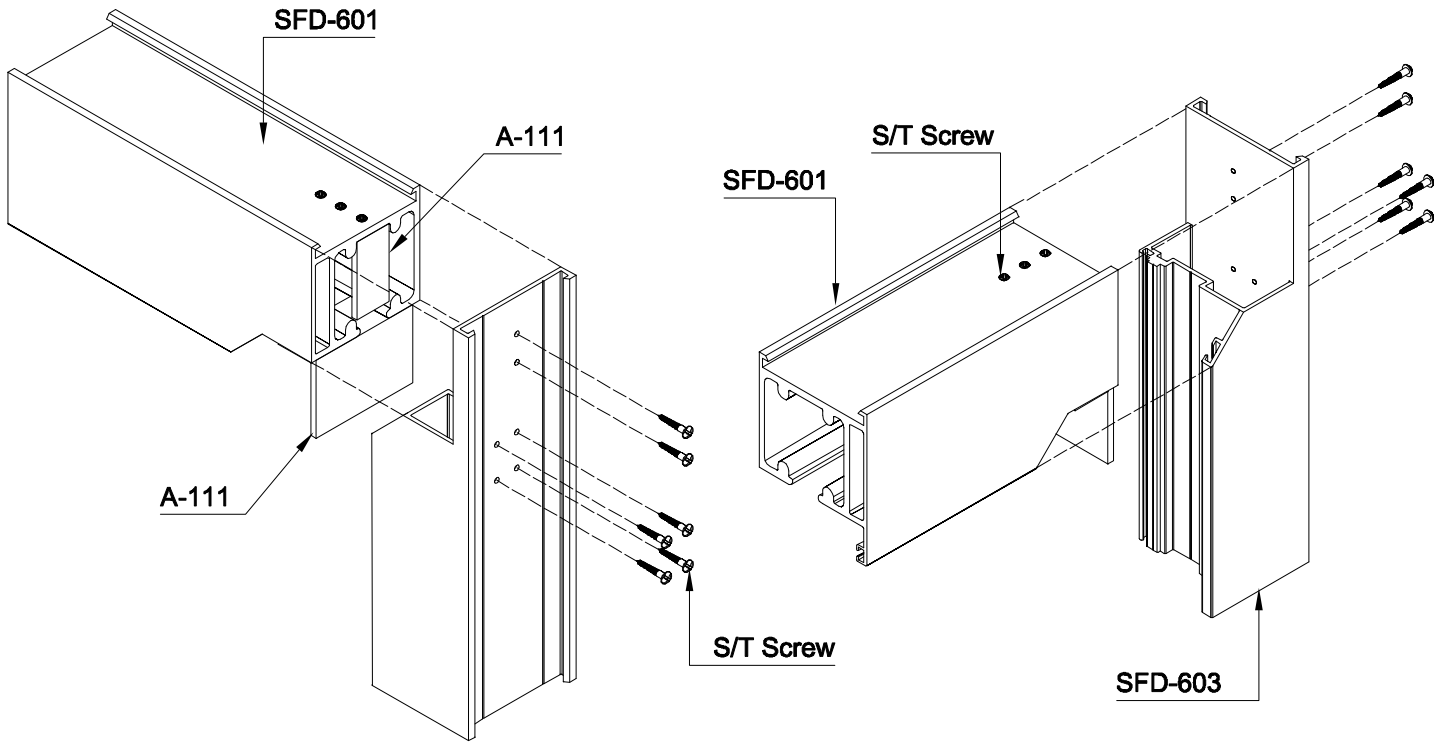


SECTION NO. - SFD-606
EST. WEIGHT - 4.043 KG./M.

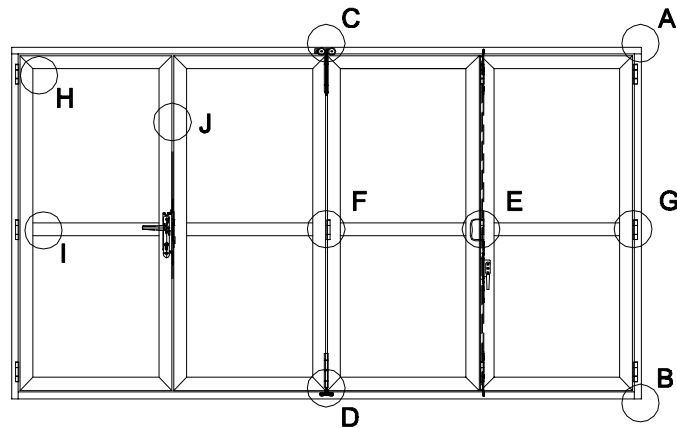


SECTION NO. - GL-116
EST. WEIGHT - 0.299 KG./M.

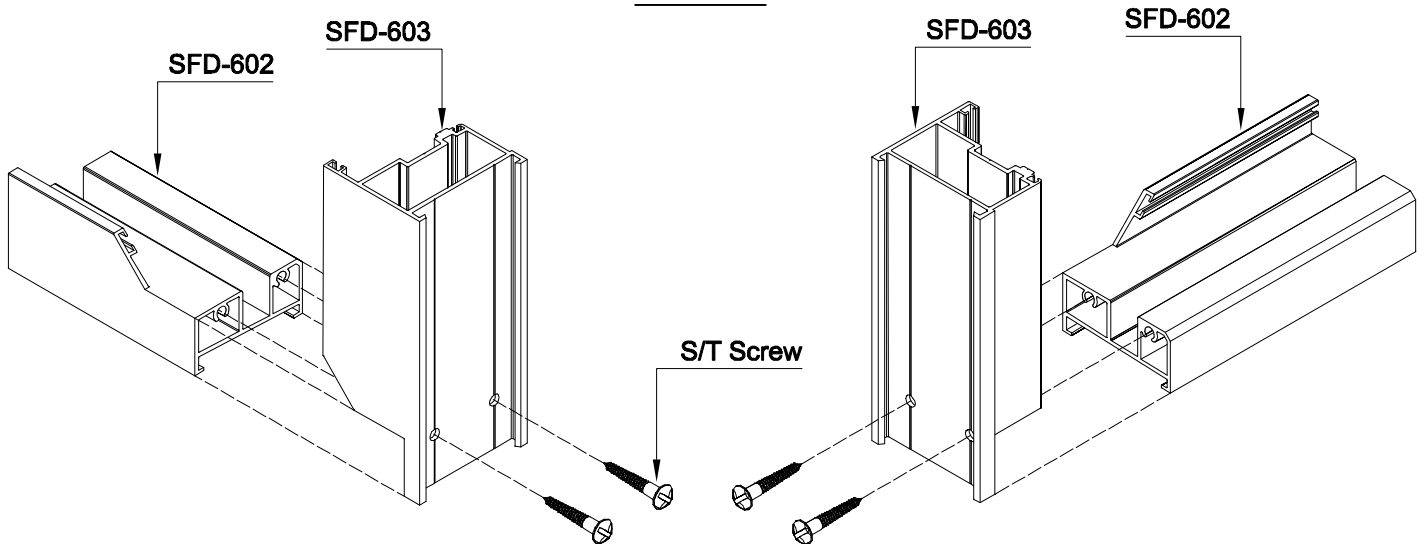
3D Assembly Detail Of Sliding - Folding Door



Detail - "A" Head & Jamb Corner Joint

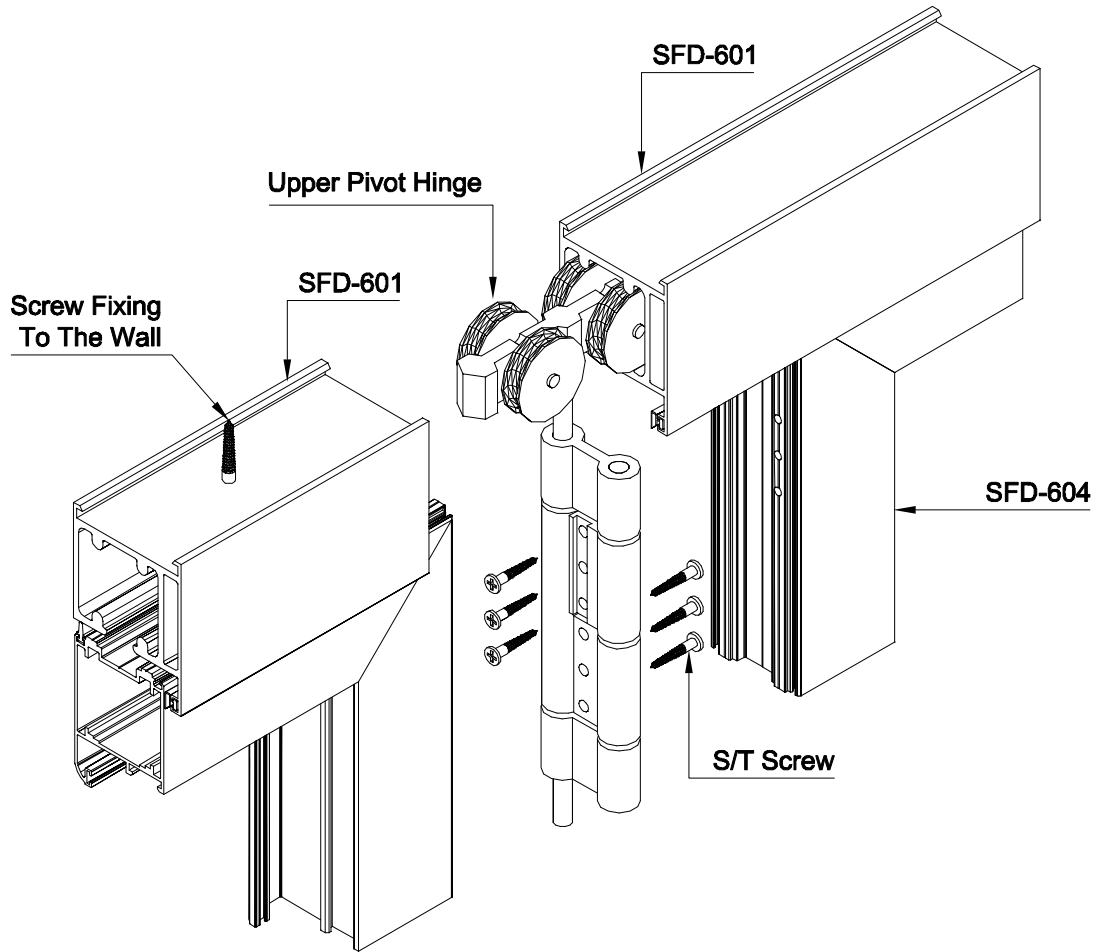


Elevation

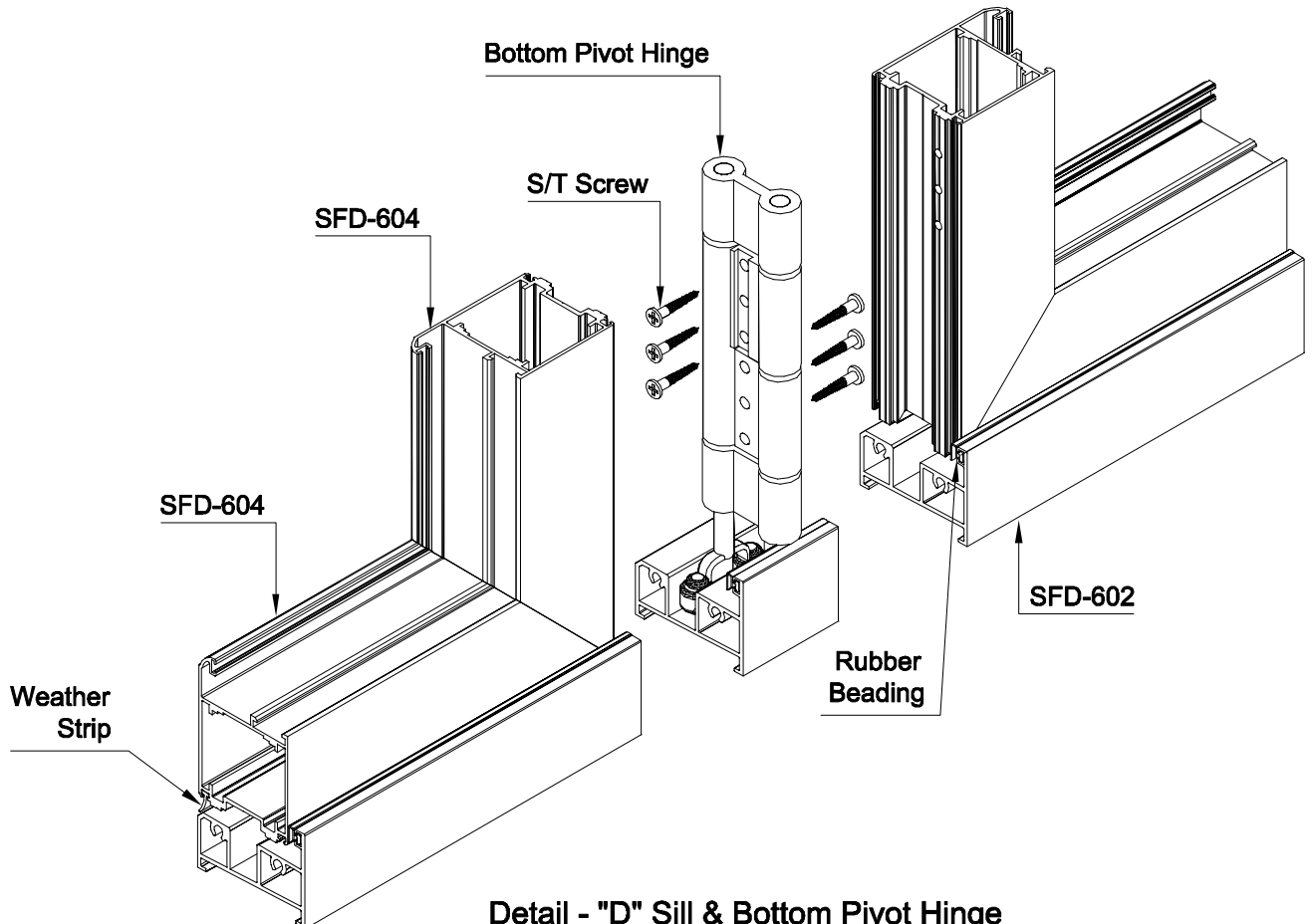


Detail - "B" Sill & Jamb Corner Joint

3D Assembly Detail Of Sliding - Folding Door



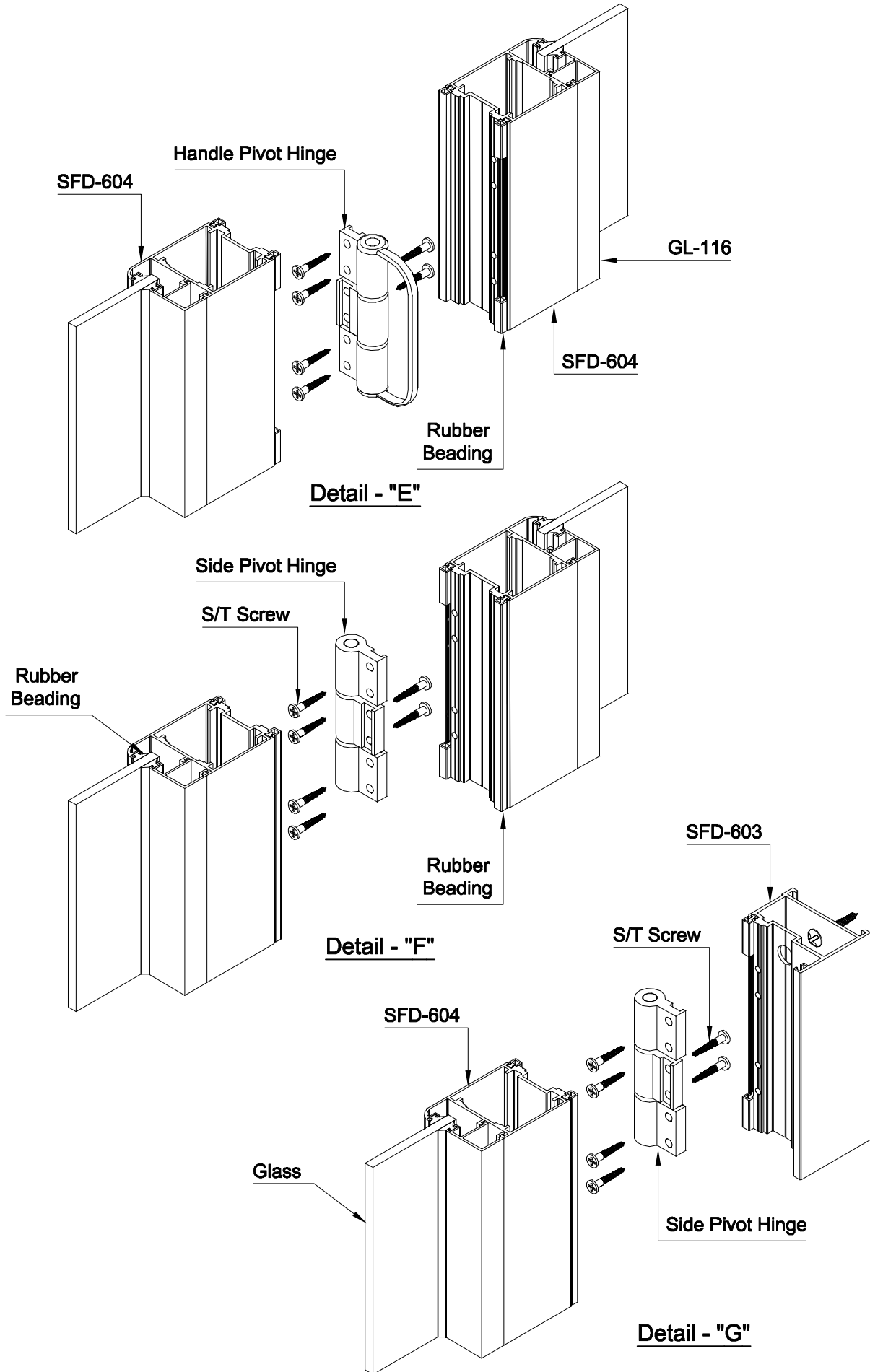
Detail - "C" Head & Upper Pivot Hinge



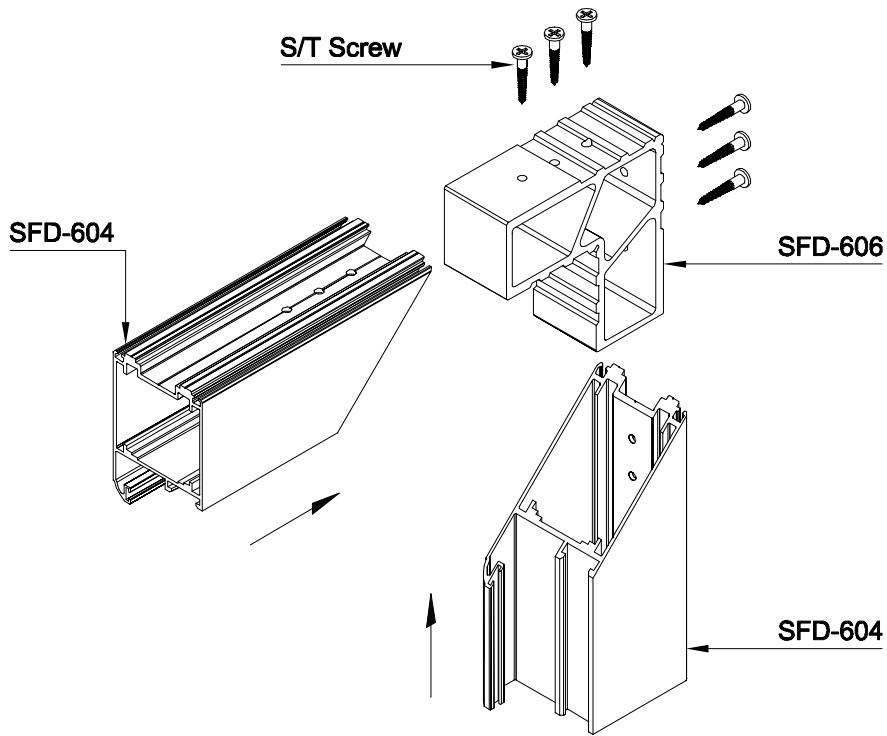
Detail - "D" Sill & Bottom Pivot Hinge

3D Assembly Detail Of Sliding - Folding Door

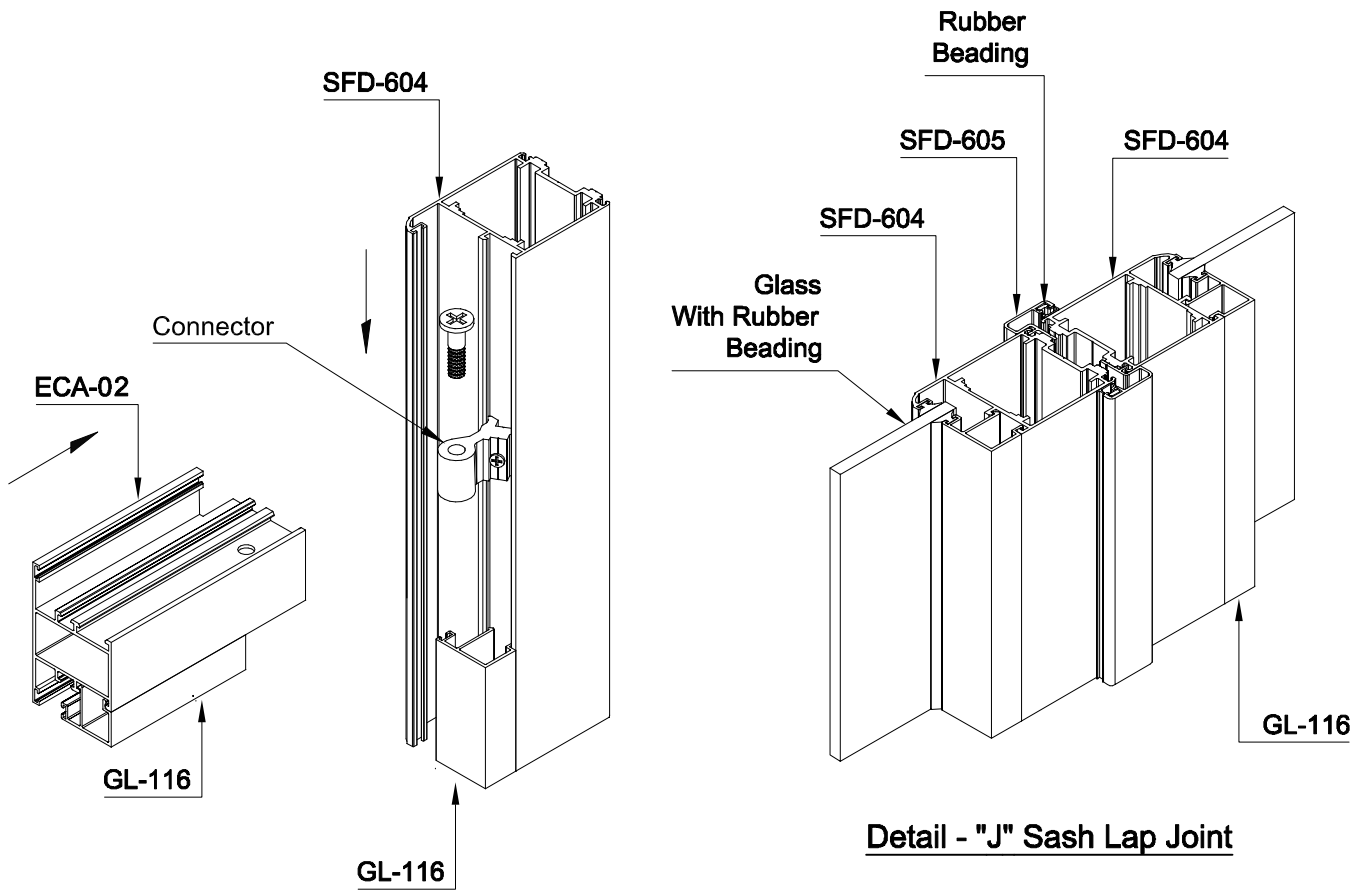
Hinges Assembly Detail With Sash



3D Assembly Detail Of Sliding - Folding Door



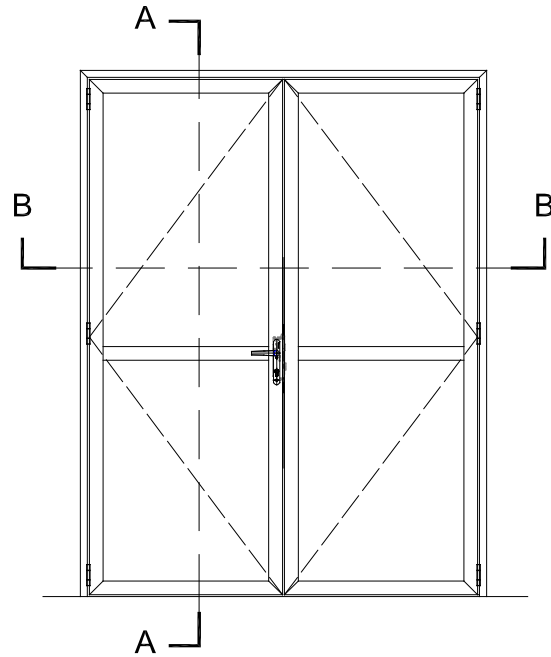
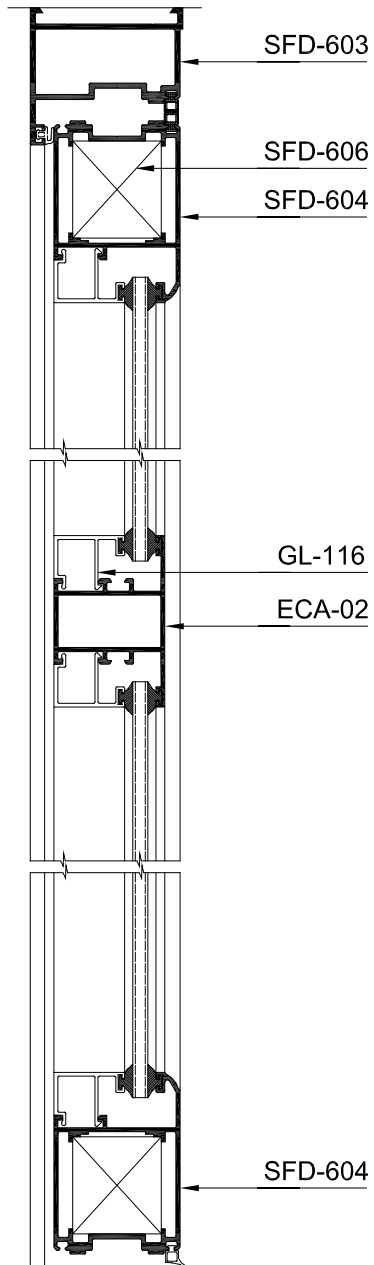
Detail - "H" Sash Corner 45° joint



Detail - "I" Sash Divide Joint

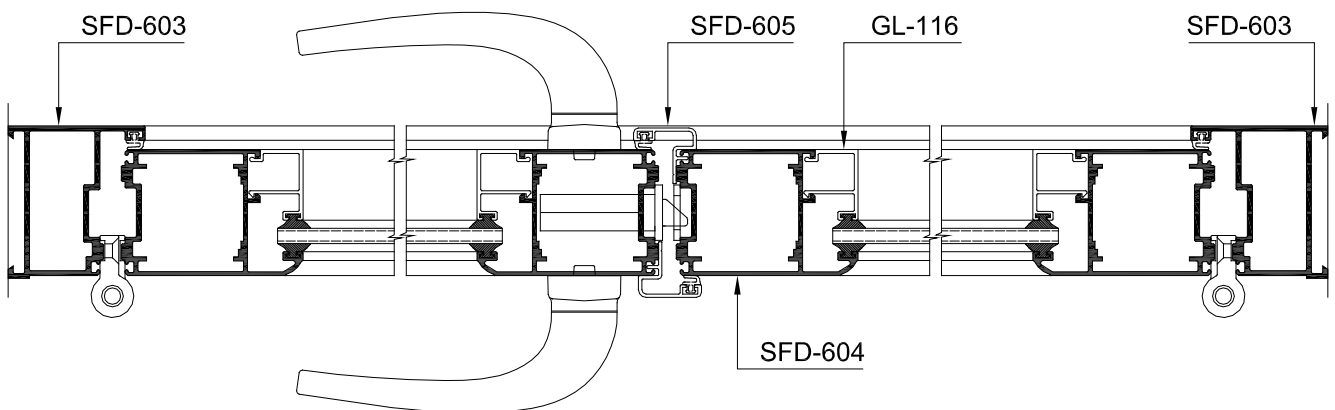
Detail - "J" Sash Lap Joint

Double Door - (Lapped)



ELEVATION

SECTION :- A-A



SECTION :- B-B